

970 Extra Heavy Duty Draw Latch (With Folding Handle)

Features

- Extra heavy duty draw latch can be used in a wide variety of applications
- Foldable handle design with rubber grip
- It offers strength and durability and is rated at 8,000 lbs. maximum pull
- Up to 1" loop length adjustment
- Safety thumb release helps ensure full locked engagement; provides a padlock eye for up to a 3/8" diameter padlock shackle
- Stainless steel torsion spring automatically retracts the loop to prevent damage when not in use

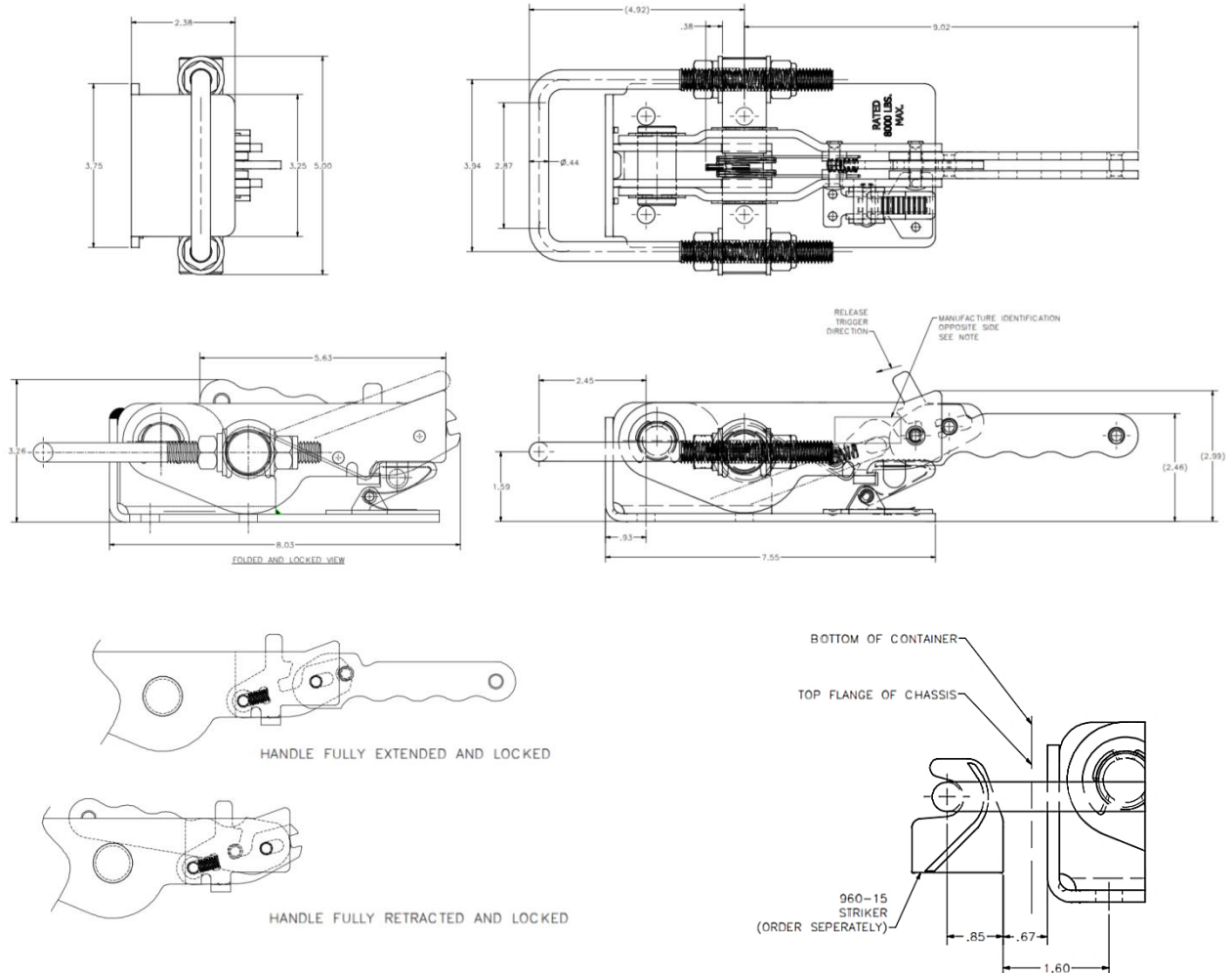


Material

- Body parts: E-coat
- Fasteners, loop and thumb release: Zinc

Notes

- Catch plate 960-15 sold separately



Part No.
970

Dimensions in inches



We are Eberhard's exclusive distributor